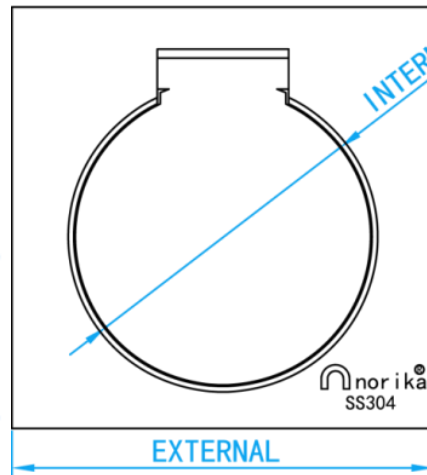
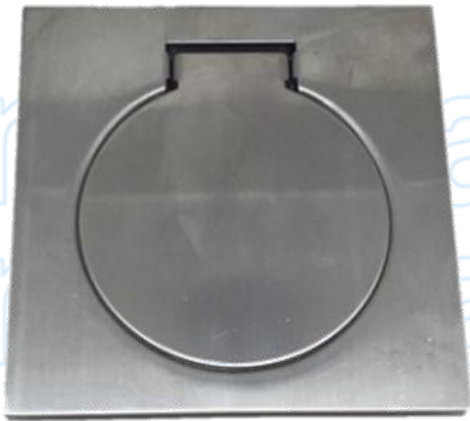


# STAINLESS STEEL AISI304L & AISI316L SQUARE GRATINGS

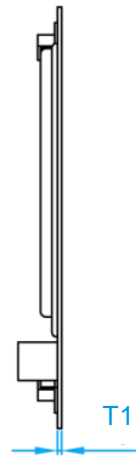
COMPLY WITH SS213:1998



NO HOLE



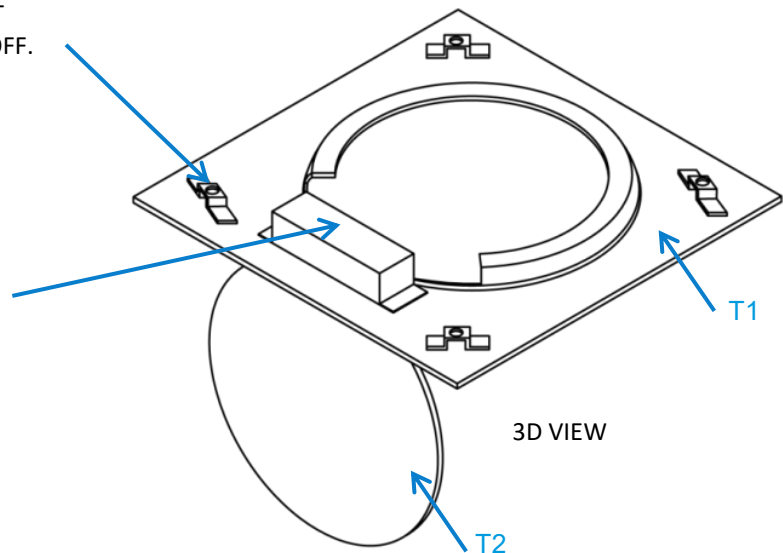
TOP VIEW



SIDE VIEW

GRIPS ARE ADDED TO HOLD ONTO THE CEMENT AND PREVENT GRATING FROM SLIPPING OFF.

ADDITIONAL COVER IS DESIGNED TO ENABLE THE LID TO BE OPENED EASILY BY PREVENTING CEMENT FROM SEEPING IN.



3D VIEW

## DIMENSIONS

SKU	MATERIAL	SURFACE	INTERNAL OPENING (mm)	T1×T2 (mm)	EXTERNAL (mm)	WEIGHT (kg)	PCS/CTN
SSGN100HLNH	AISI304L	HAIRLINE	70	1.5×1.5	100×100	0.140	100
SSGN150HLNH	AISI304L	HAIRLINE	105	1.5×2.0	150×150	0.300	40
SSGN150HLNHHD	AISI304L	HAIRLINE	105	3.0×3.0	150×150	0.580	40
SSGN150HLNH316	AISI316L	HAIRLINE	105	1.5×2.0	150×150	0.300	40